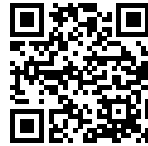


## VERONA SATINEE

Mixer Taps

Code: R497 A00

MITIGEUR VERONA SATINEE



### DETAILS

Texture Brushed in line

---

Material Brass

---

Rotating angle 360°

---

Strenghtening plate ø50 mm

---

Cartrigde With ceramic discs

---

Mixer hole ø35 mm

---

Rear encumbrance 35mm

---

Max worktop thickness 40 mm

---

Mixer type Single lever mixer tap with rotating barrel.

---

## FEATURES

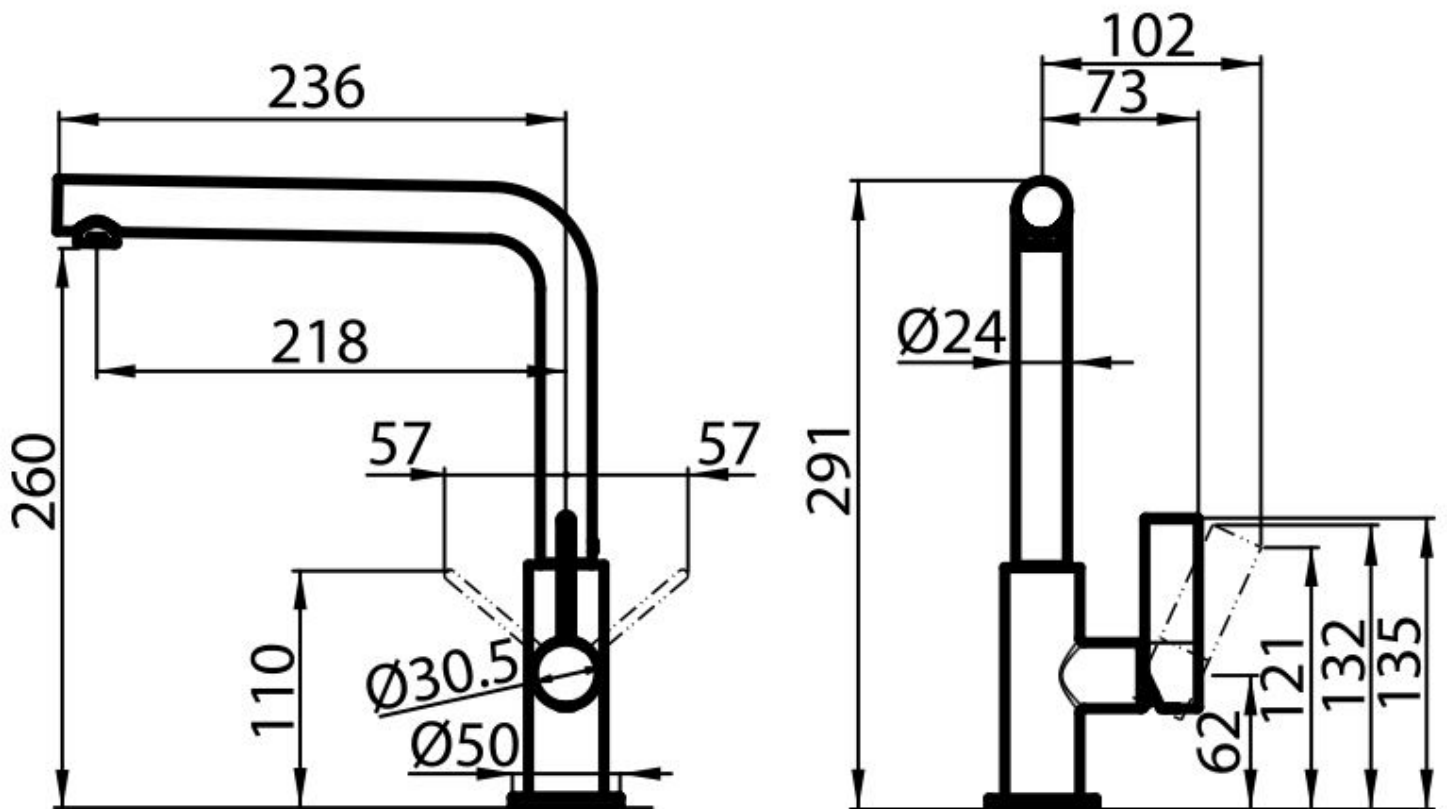
Rotating angle

All the taps have a wide angle of rotation. Some models even permit a full 360° rotation.

Strengthening plate

Foster's mixer taps are equipped with the strengthening plate that offers perfect stability on any sink.

## TECHNICAL DATA



## RECOMMENDED PAIRINGS



**SAPONE SATINE**  
R520 A00